

LOTUS[®]
Performance, Delivered.™



Smart Leverset

Made in China/Fabriqué en Chine
Lotus Tool Group (Philippines)
www.lotustools.ph

X89

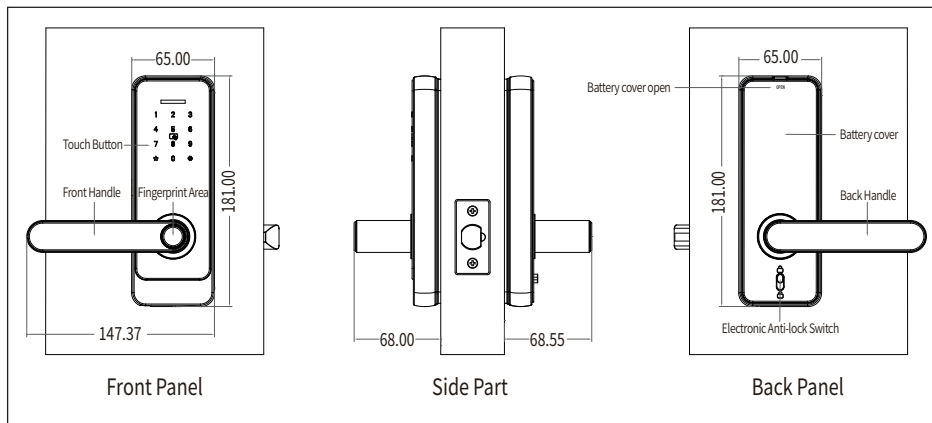


I、Product introduction



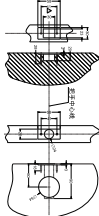
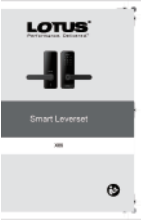







1、Product parameters

Power supply	4.5-6.5V (4AAA batteries)	Resolution	500DPI
Static current	< 65 Ma	Rejection rate	≤1.0%
Working current	< 200 Ma	False recognition rate	≤0.001%
Fingerprint Capacity	≤100	Working temperature	-10°C ~ 60°C
Cards Capacity	≤300	Relative humidity	20%RH ~ 93%RH
Password Capacity	≤300		

2、Product dimensions



3、Packing list (accessories in kind prevail, pictures are for reference only)

				
1. Front panel	2. Back panel	3. Drilling template	4. User Manual and Warranty Card	5. Door gusset plate
				
7. Lock mortise	8. Square shaft	9. Installation screw	10. Mechanical keys	6. Tapping screw
				
				11. Strike box

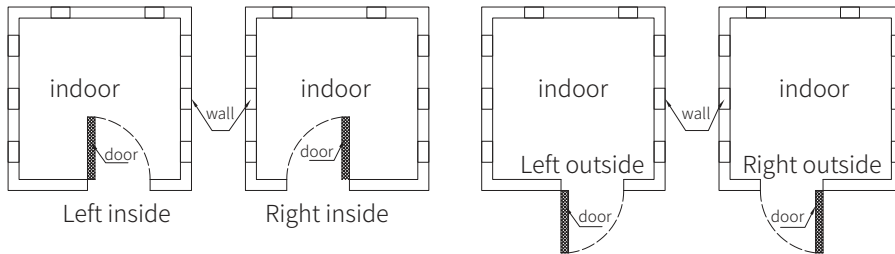
II 、Installation Guide

1、 installation conditions

1.1、 Door thickness

- Door lock border ≥ 110 mm (thickness of inconsistent doors)
- $35\text{mm} \leq \text{door thickness} \leq 60\text{mm}$ (custom accessories are required when size exceeded)

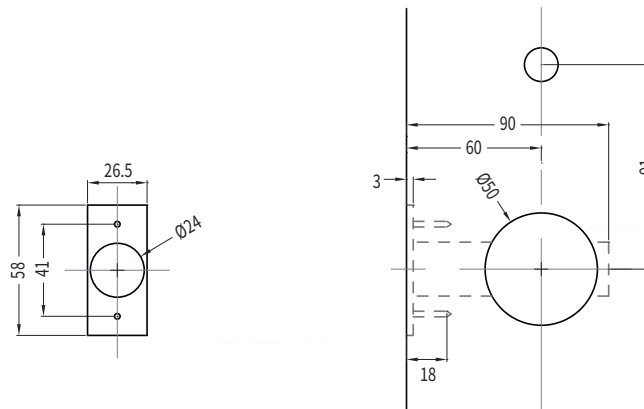
1.2、 Opening direction



2、 Installation tool (for reference only)

 1.manual electric drill	 2.pencil	 3.tape ruler	 4.hammer	 5.bit
 6.hacksaw	 7.angle ruler	 8.screwdriver	 9.Cutter	 10.chisel

3、 Drilling template (for reference only)



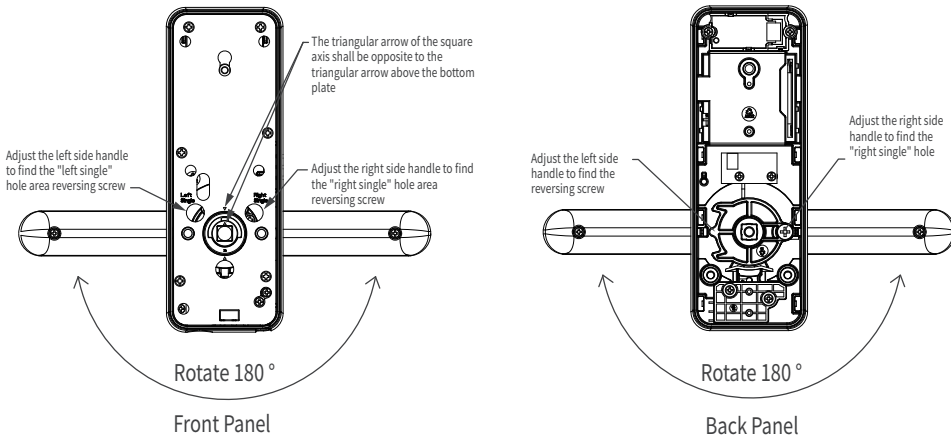
4. Handle direction change and square axis position adjustment

According to the actual needs of their own, with a screwdriver inserted into the iron plate arrow pointed to the round hole twist loose screws, according to the actual left or right open need to turn the handle 180°, and then tighten the screws.

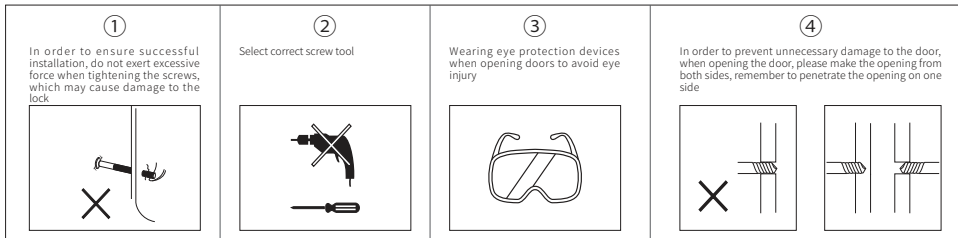
Warm Tips: Please do not disassemble the screws in the handle hole, disassembly caused by failure do not do warranty!

Note: when disassembling the reversing screw, lift the handle slightly, aim at the reversing screw to disassemble, and then lock the reversing screw after changing

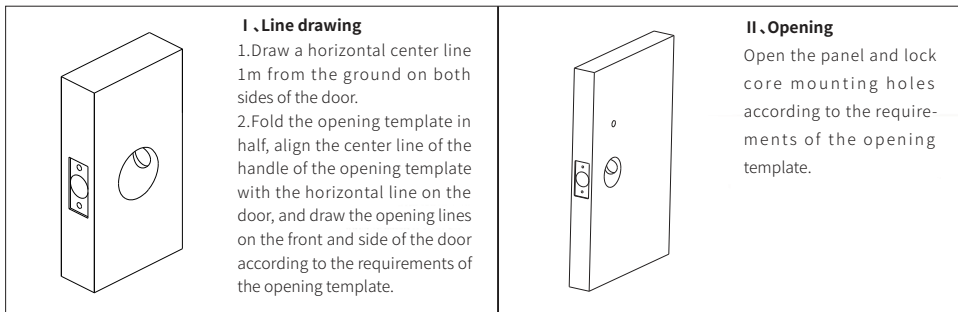
Note: remove the reversing screw and turn the handle 180 degrees before locking the reversing screw

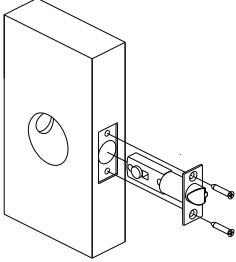
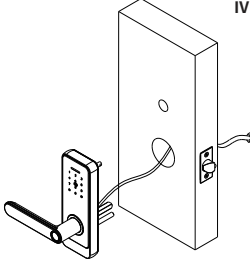
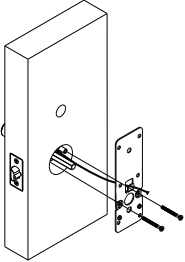
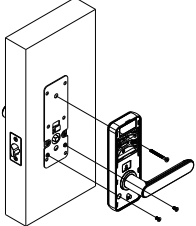
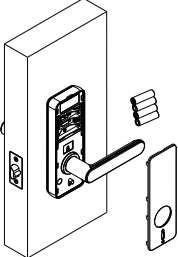
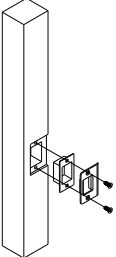
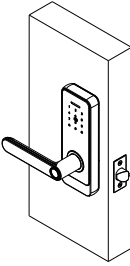


5. Installation Notes



6. Installation steps



 <p>III. Install the lock Install the lock mortise into the mortise hole in door frame, and secured to the door with two M5*20 screws.</p>	 <p>IV. Front Panel Installation 1. Install the hollow stud and square shaft on the front panel . 2. Align the shaft on the front panel with the square shaft hole on the lock mortise 3. Install the front panel horizontally to the outside of the door.</p>
 <p>V. Back bottom Panel installation 1. Thread the front pair wires through the back bottom panel. 2. Attach the back bottom panel to the door, connect the front and back panel with two panel screws, lock and fix.</p>	 <p>VI. Back Panel Installation 1. Align and insert the front and rear wiring. 2. Attach the back plate to the door, and lock the front and back panels with two panel screws, lock and fix.</p>
 <p>VII. Installation of battery and rear cover plate Install the new battery into the battery box according to the positive and negative alignment, and install the rear cover plate into the rear panel after the power on is normal.</p>	 <p>VIII. Install the door gusset plate 1. Put the door close to the door frame, draw the position of the lock tongue on the door frame with a pencil, and then draw the opening shape of the door frame . 2. After opening the hole, put the Latch box and the door gusset plate into the hole as shown on the left, and fix the gusset plate with 2 M5*20 screws. 3. Closing the door, check whether the lock tongue can be fully extended.</p>
 <p>IX. Installation and debugging 1. turn the handle, check the flexibility of the front and back handle. 2. Open the lock mechanical key hole cover, insert the mechanical key, twist the key in place clockwise, then push the handle to open the door, and check whether the key can open the door normally. 3. Test the door opening function after setting the door lock according to the door lock operation guide .</p>	

III、Function and Operation

Initialization

Press and hold the setting key (rear panel key) for 5 seconds, then the voice will announce “ Initialization is successful” .

Note: The initialization password is 123456, any fingerprint can open the door .

3.1 Language switch (initial state use)

555666888# Use Chinese

555666880# In English (multi-country version support)

555666881# Use Vietnamese (multi-country version support)

555666882# In Portuguese (multi-country version support)

555666883# Use Arabic (multi-country version support)

555666884# Use Russian (multi-country version support)

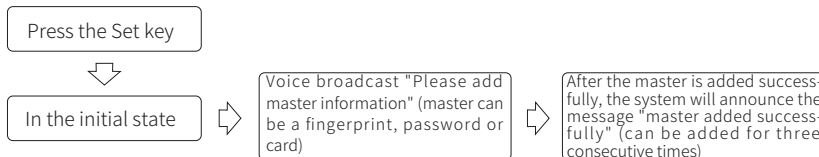
555666885# Use Thai (multi-country version support)

555666886# In Spanish (multi-country version support)

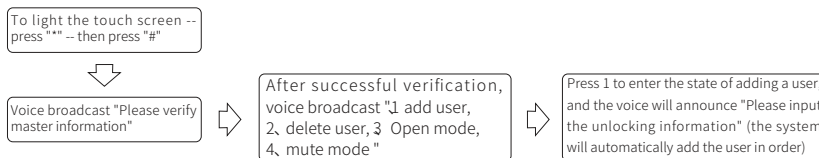
555666887# Use Indonesian (multi-country version support)

555666889# Use Japanese (multi-country version support)

3.2 Add master information (up to three masters)

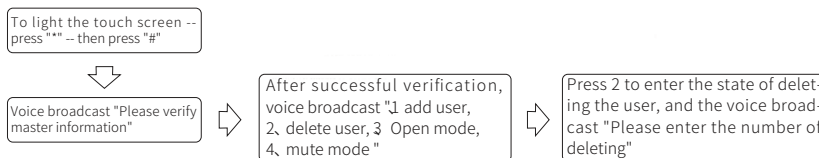


3.3 Add the lock unlocking information



Note: The first 3 unlocking information are master users, and the maximum number of unlocking information is 300.

3.4 Delete user information



3.5 Open mode

To light the touch screen --
press "*" -- then press "#"

Voice broadcast "Please verify
master information"

After successful verification,
voice broadcast "1 add user,
2. delete user, 3 Open mode,
4. mute mode "

Press 3 to enter, and the voice will
broadcast "Open mode open" or
"Open mode closed"

3.6 Mute mode

To light the touch screen --
press "*" -- then press "#"

Voice broadcast "Please verify
master information"

After successful verification,
voice broadcast "1 add user,
2. delete user, 3 Open mode,
4. mute mode "

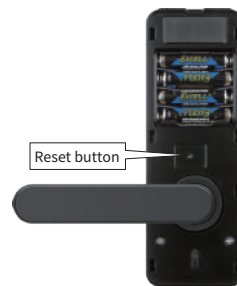
Press 4 to enter, and the voice will
broadcast "mute mode on"
or "mute mode off"

Note: After the mute mode is turned on, every time you open the lock, it will be silent.

3.7 Restore factory settings

3.7.1. Press and hold the reset and clear button on the 10s rear panel, the door lock will return to the factory default, and the voice and light will be restored successfully.

3.7.2. The factory default password is 123456, all fingerprint password card registration are cleared, and the operation record remains unchanged.



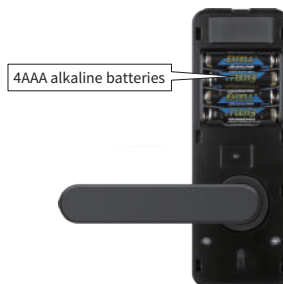
3.8 Low voltage alarm and battery replacement method

3.8.1 Battery Low voltage alarm

When the battery is low-voltage, when unlock by fingerprint / password / card, and the door lock voice prompts "the voltage is too low, please replace the battery".

3.8.2 Battery replacement method

Take out the old battery, put the new battery into the battery box according to the positive and negative pole alignment, and install the battery cover into the back panel after the power is normal.



3.9 USB emergency power supply and mechanical key unlock

When the battery has no power, use 5V power bank +micro USB cable and connect the micro USB port of the external emergency power supply to unlock normally, or use the mechanical key to unlock.



3.10 Electronic anti lock function

When the electronic anti lock key is pushed upward, it is locked, and when it is pushed downward, it is unlocked.



3.11 To open the battery cover

There is a small gap on the left bottom of the back cover, from where you can open the battery cover.



3.12 Other Instructions

- ◆Input errors for more than 5 consecutive times, lock the keyboard for 2 minutes, and do not respond to any operation within 2 minutes.
- ◆Password snooping prevention function: enter the password in the following way when checking the door: XXX password XXX; You can add some irrelevant numbers before and after the password, and then press # to confirm. The password must be included in the entered content.
- ◆If there is no operation for more than 12 seconds each time, the system will exit automatically.
- ◆After the voltage is lower than 4.8V, each unlocking will automatically alarm. The alarm rear door lock can be unlocked 200 times. After the number of times is exceeded, each unlocking will be handled as delayed unlocking. Be sure to replace the new battery before the number of times of unlocking.

IV、 Work with TUYA APP

4.1 APP Configuration (Tuya Smart)

- 1) Search "Tuya Smart" in APP Store or APP market, download and install it.
- 2) Register with your cellphone number and log in.
- 3) Click "Security & Sensor" , find "Lock (Wi-Fi)", click and add a device following instructions before use.
- 4) Remote unlocking: wake up the screen and press "9#", APP will show "Click open remotely", click "confirm" to remote opening the lock.



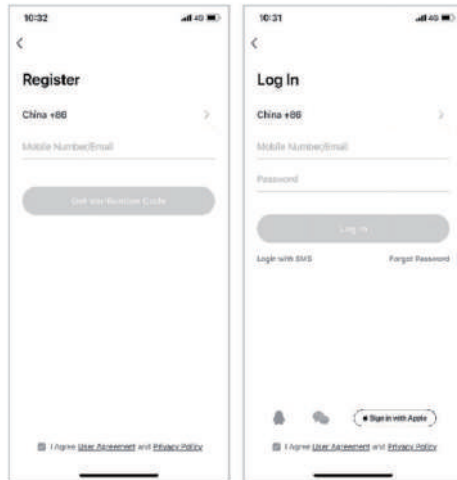
4.2 Smart lock manual

4.2.1 APP registration and login

* APP registration: if you do not have an APP account, you can choose to register or log in by SMS verification code.

* Click “create a new account” to enter the account registration page. According to the prompt to obtain SMS verification code, settle password.

* If you have an existing account, click “login with an existing account” to log in to the APP. Password, verification code, and social account login are supported.

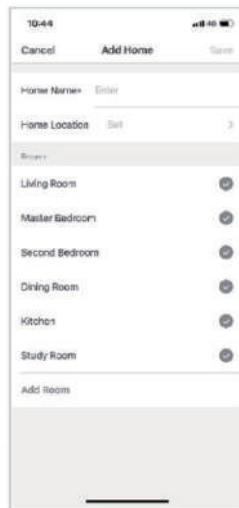


4.2.2 Create Homes

Create your home after registering and logging in successfully.

* Each account can create and add multiple homes, and devices can be grouped by room in the home.

* Weather and other functions depend on the geographical location of the family, which is recommended to set in advance.



4.2.3 Add Wifi lock

Press *# admin code #1 to enter add user setting, then open Tuya APP, click "Add Device" to add lock in APP.



(Figure 1)



(Figure 2)

4.2.4 Home page

* Home page includes remote unlock, alarm message, users message, record and temporary password and other functions.

* **Remote unlock: initiate a request from the door lock by press "9#"** , the APP can respond to allow / refuse door opening.



4.2.5 Dynamic password

Click to get the dynamic password meanwhile copy the password and text to other user.

Remark: Press 9# + dynamic password to open the lock.

